

**SPECIFICATIONS**


- ① LIFTING HANDLE
- ② RELEASE ROD
- ③ EXTENSION LOCK BRACKET
- ④ BALANCING SPRING
- ⑤ SQUARE TUBING (1 1/2" x 1 1/2")
- ⑥ ADJUSTABLE MOUNTING CHANNEL FITS LADDER RUNG SPACING 10"-12"
- ⑦ CLAMP BRACKET
- ⑧ STAINLESS STEEL MOUNTING HARDWARE

**CERTIFICATIONS:**

COMPLIES WITH OSHA 1910.27 REQUIREMENT FOR FIXED LADDERS

DESIGN LOAD OF 200 POUNDS

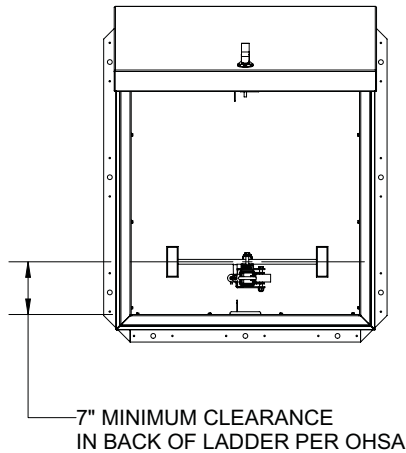
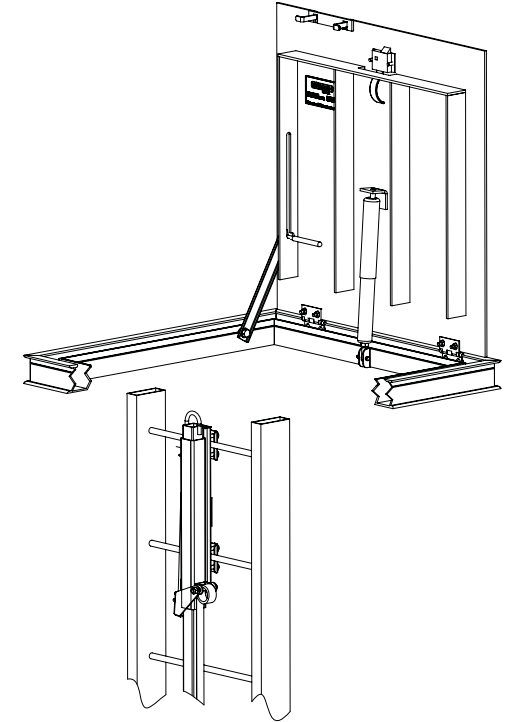
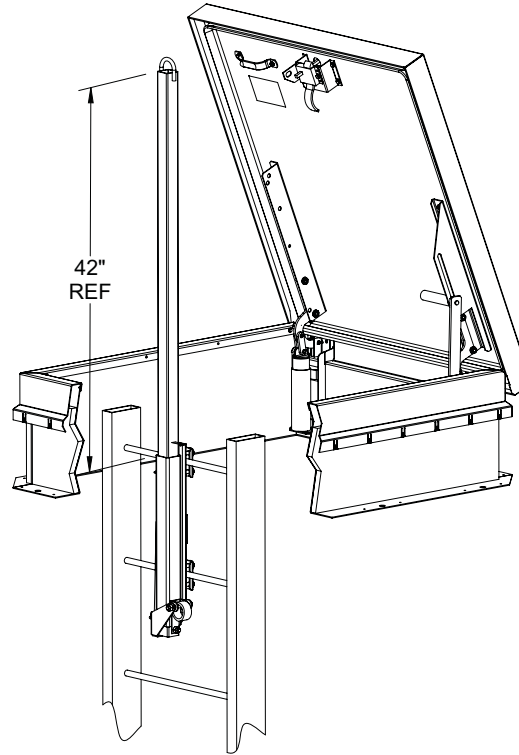
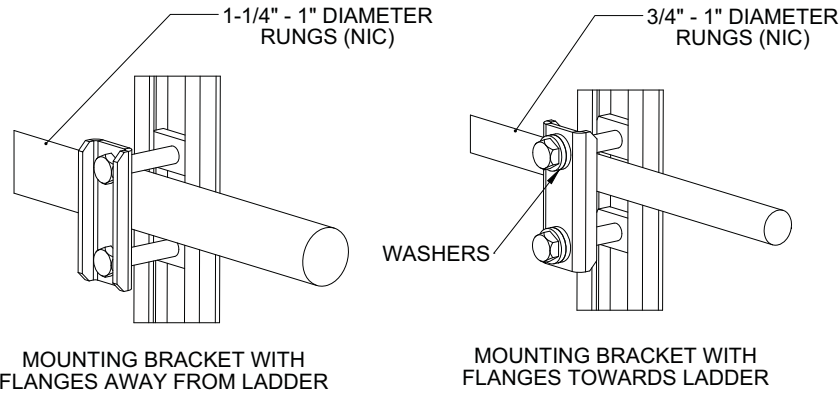
	PART #	DESCRIPTION
⊙	BSPY	STEEL, YELLOW POWDER COAT PAINT
⊙	BSPG	STEEL, HOT DIPPED GALVANIZED
⊙	BSPA	ALUMINUM, MILL FINISH
⊙	BSPS	304 STAINLESS STEEL, MILL FINISH

PROJECT:					
ARCHITECT:					
CONTRACTOR:					
QTY:					
PART#:			<b>BSPY</b>		
			TITLE: Safety Post, Ladder Access		
	NAME	DATE	SIZE	DWG. NO.	REV
DRAWN	DKL	05/10/11	A	TBD038_TBSP	D
RELEASED	KO	05/10/11			

### CLAMP BRACKET DETAILS

### ROOF HATCH APPLICATION SAFETY POST EXTENDED

### FLOOR DOOR APPLICATION SAFETY POST RETRACTED



- NOTES:**
1. CLAMP BRACKETS MAY BE REVERSED TO ACCOMMODATE RUNG SIZES OF 3/4" TO 1-1/4" WITH STANDARD 2" BOLTS FURNISHED. LARGER RUNGS WILL REQUIRE LONGER BOLTS.
  2. REINFORCE HOLLOW RUNG LADDERS WITH A SOLID ROUND BAR INTO THE TOP TWO RUNGS TO PROVIDE STRENGTH BEFORE MOUNTING SAFETY POST
  3. MOUNT THE SAFETY POST TO THE REAR OF THE LADDER, WITH THE CLAMP BRACKETS ON THE CLIMBING SIDE
  4. RAISE SAFETY POST TO FULLY EXTENDED POSITION THE EXTERNAL LOCK BRACKET ENGAGES TO LOCK THE SAFETY POST IN PLACE. TO LOWER THE POST, LIFT UP THE RELEASE ROD AND RETRACT THE POST.
- HATCH AND LADDER NOT INCLUDED - SHOWN FOR SAFETY POST INSTALLATION PURPOSES ONLY.**

				TITLE: Safety Post, Ladder Access		
				DWG. NO. TBD038_TBSP		REV D
NAME	DATE	SIZE				
DRAWN	DKL	05/10/11				A
RELEASED	KO	05/10/11				
					SHEET 2 OF 2	